

TWIN SIZE

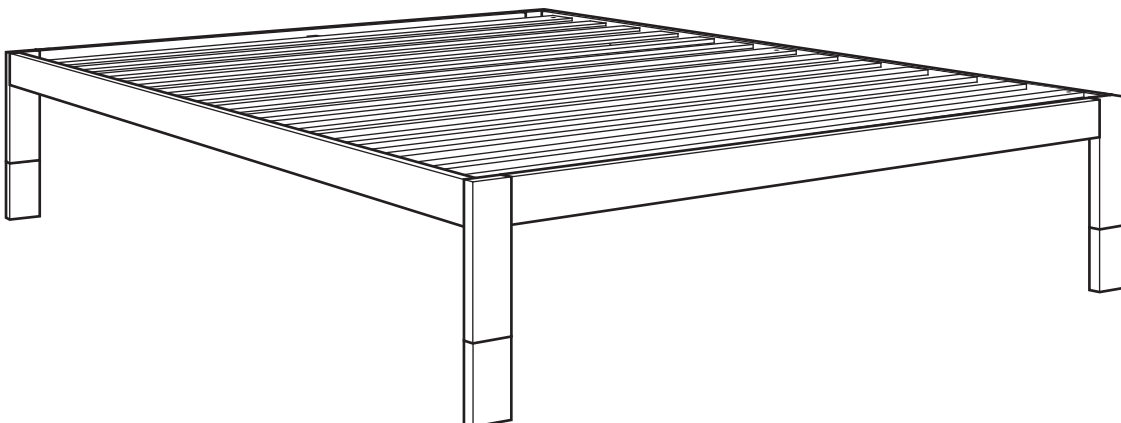
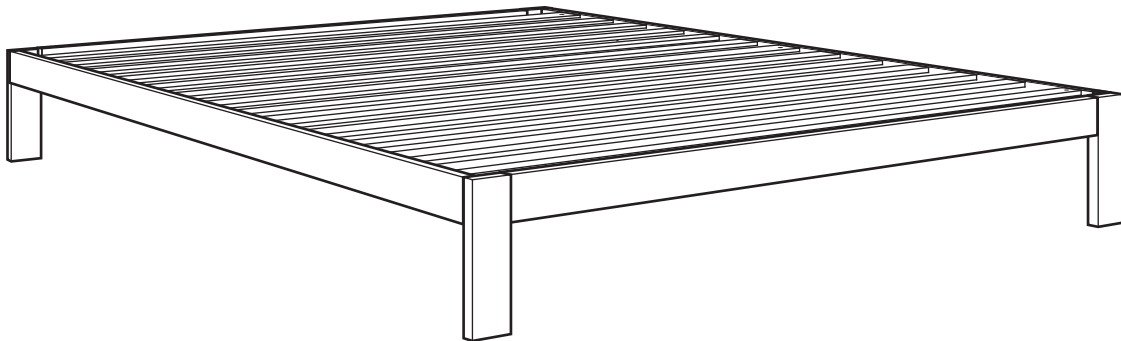
# ASSEMBLY INSTRUCTION

## IMPORTANT NOTE:

\*\* PLACE ALL PARTS ON A CLEAN AND SMOOTH SURFACE SUCH AS A RUG OR CARPET TO AVOID THE PARTS FROM BEING SCRATCHED.

\*\* BEFORE YOU BEGIN , KINDLY FOLLOW THE ASSEMBLY INSTRUCTIONS STEP BY STEP.

\*\* DO NOT TIGHTEN ALL SCREWS UNTIL THE BEDSTEAD IS FULLY SET-UP.



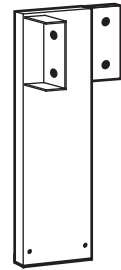
# PARTS AND HARDWARE



**A** : FRONT/BACK RAIL 2 PCS



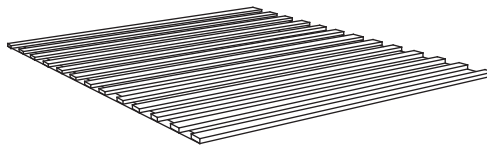
**B** : SIDE RAIL 2 PCS



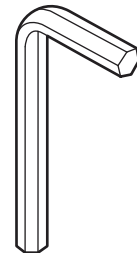
**C** : LEG 4 PCS



**D** : HEIGHTENING LEG 4 PCS



**E** : SLATS 1 PC



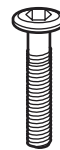
**F** : ALLEN KEY 1 PC



**G** : WASHER 24 PCS



**H** : SPRING WASHER 24 PCS

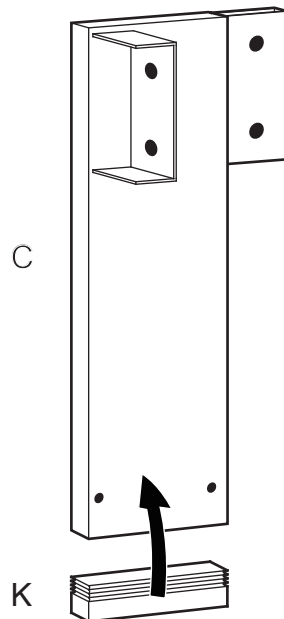


**I** : SCREW M6 X 3/8 24 PCS



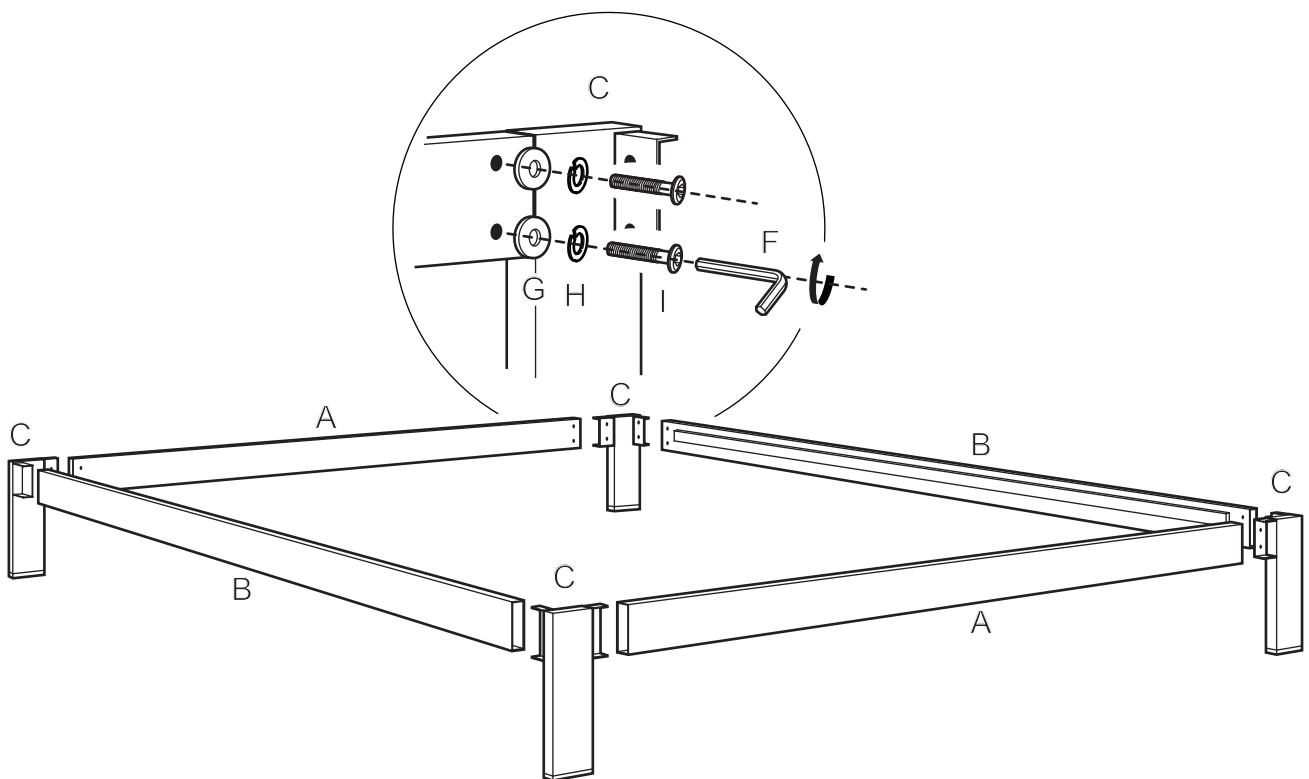
**K** : PLASTIC CAP 4 PCS

# ASSEMBLY INSTRUCTIONS



## STEP1 :

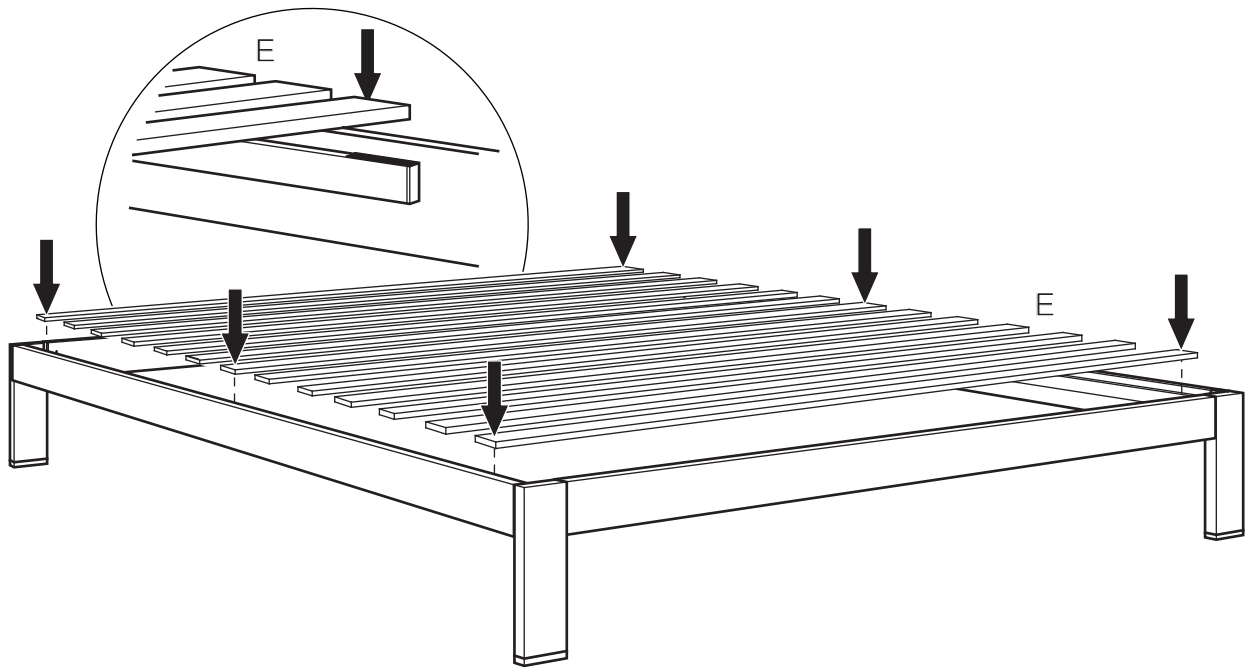
FIX THE PLASTIC CAP TO THE LEG,IF YOU NEED TO HEIGHTEN THE BEDSTEAD BY FOLLOWING STEP, PLEASE IGNORE THIS STEP.



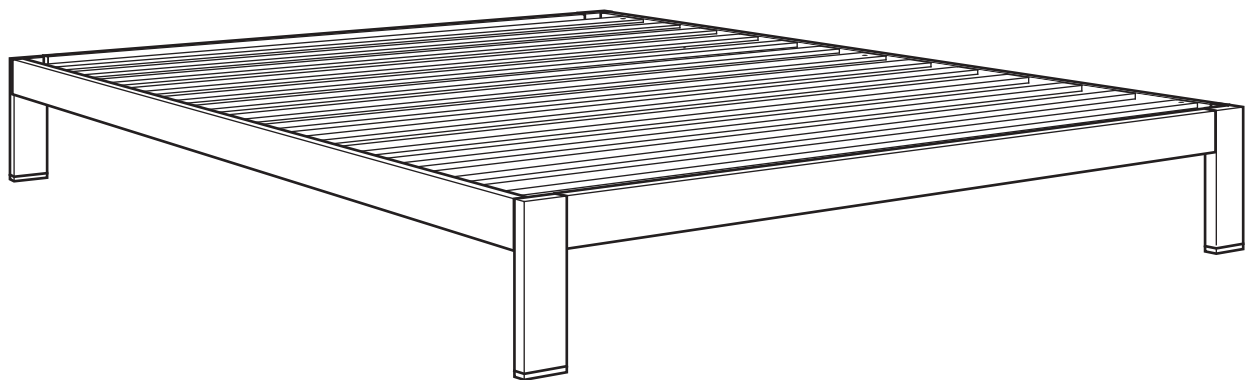
## STEP2 :

FIX THE FRONT/BACK RAILS & SIDE RAILS TO THE LEGS.

# ASSEMBLY INSTRUCTIONS



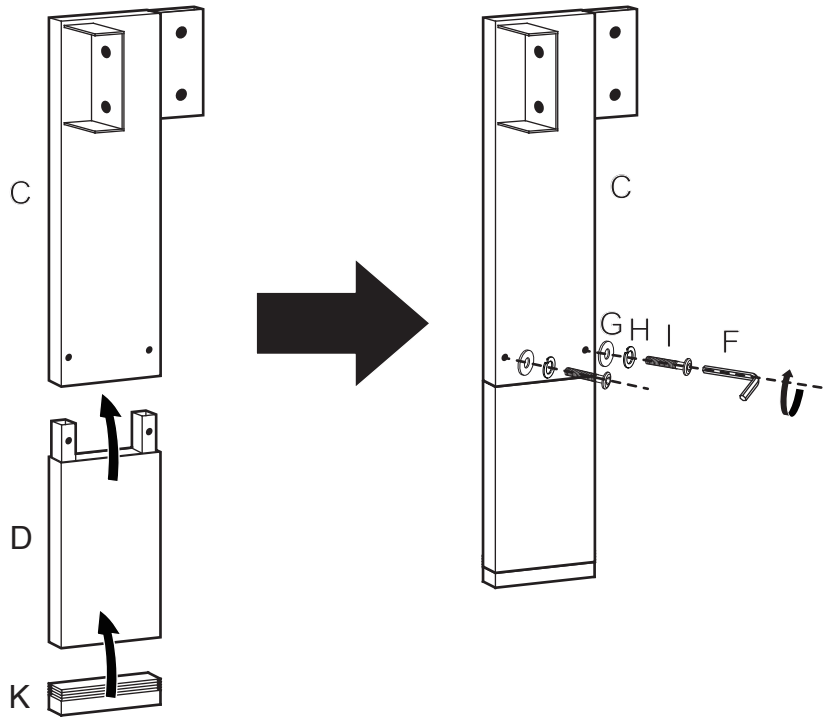
**STEP3 :**  
PUT THE SLATS TO THE BEDSTEAD .



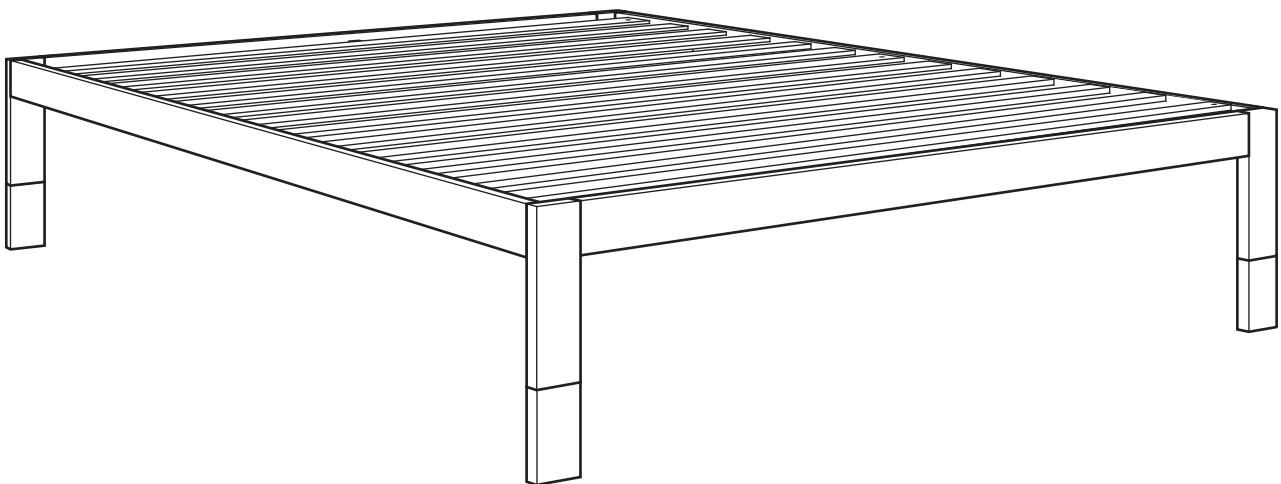
**FINISH**

# ASSEMBLY INSTRUCTIONS

**BELOW STEPS JUST FOR HEIGHTENING THE WHOLE HEIGHT OF THE BED FRAME . IF YOU DON'T NEED , PLEASE IGNORE .**



**STEP4 :**  
FIX THE HEIGHTENING LEGS TO THE LEGS.



**FINISH**