

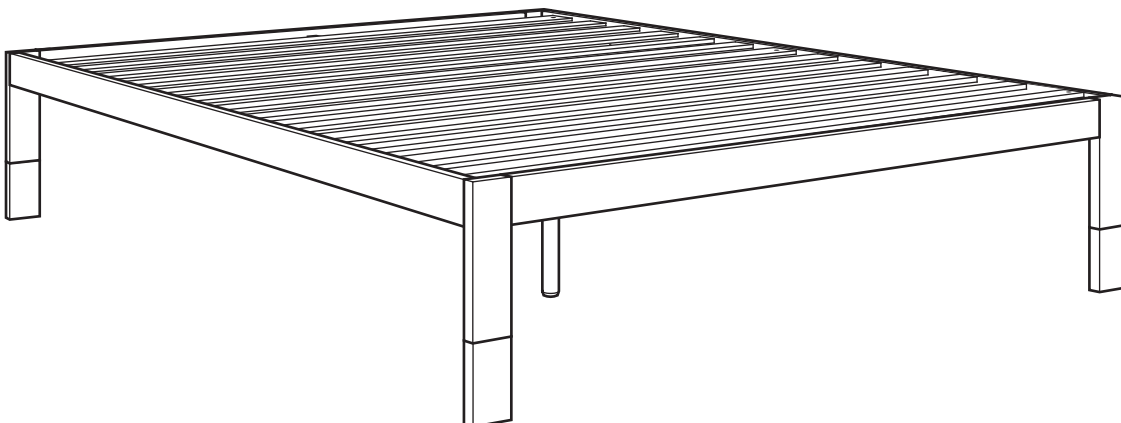
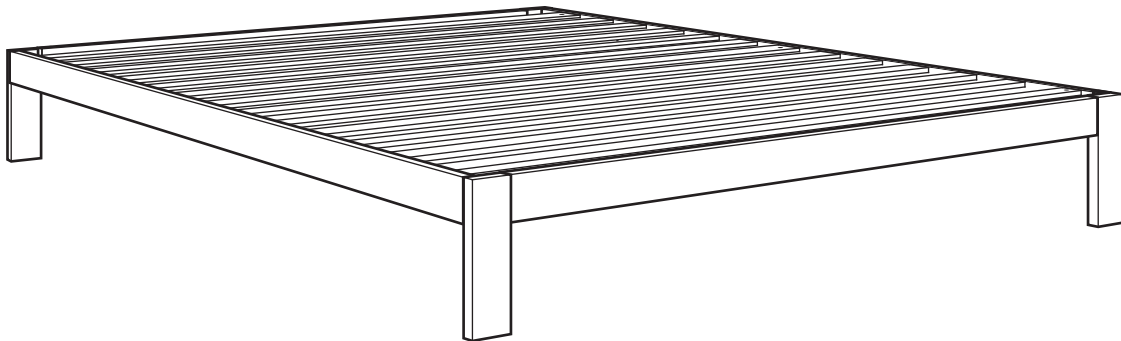
ASSEMBLY INSTRUCTION

IMPORTANT NOTE:

** PLACE ALL PARTS ON A CLEAN AND SMOOTH SURFACE SUCH AS A RUG OR CARPET TO AVOID THE PARTS FROM BEING SCRATCHED.

** BEFORE YOU BEGIN , KINDLY FOLLOW THE ASSEMBLY INSTRUCTIONS STEP BY STEP.

** DO NOT TIGHTEN ALL SCREWS UNTIL THE BEDSTEAD IS FULLY SET-UP.



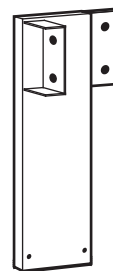
PARTS AND HARDWARE



A : FRONT/BACK RAIL 2 PCS



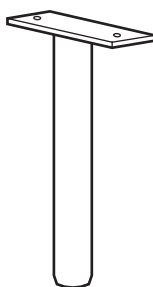
B : SIDE RAIL 2 PCS



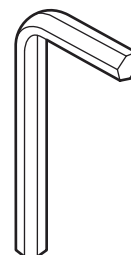
C : LEG 4 PCS



D : CENTER SUPPORT BAR 1 PC



E : SUPPORT LEG 1 PC



F : ALLEN KEY 1 PC



G : WASHER 30 PCS



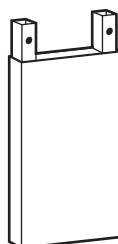
H : SPRING WASHER 30 PCS



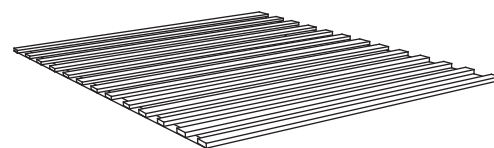
I : SCREW M6 X 3/8 30 PCS



J : HEIGHTENING SUPPORT LEG 1 PC



K : HEIGHTENING LEG 4 PCS



L : SLATS 1 PC

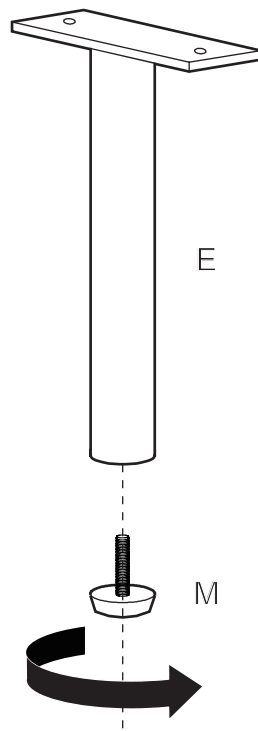


M : ADJUSTABLE NAIL 1 PC

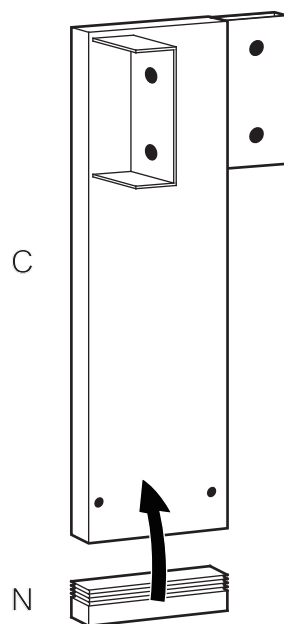


N : PLASTIC CAP 4 PCS

ASSEMBLY INSTRUCTIONS

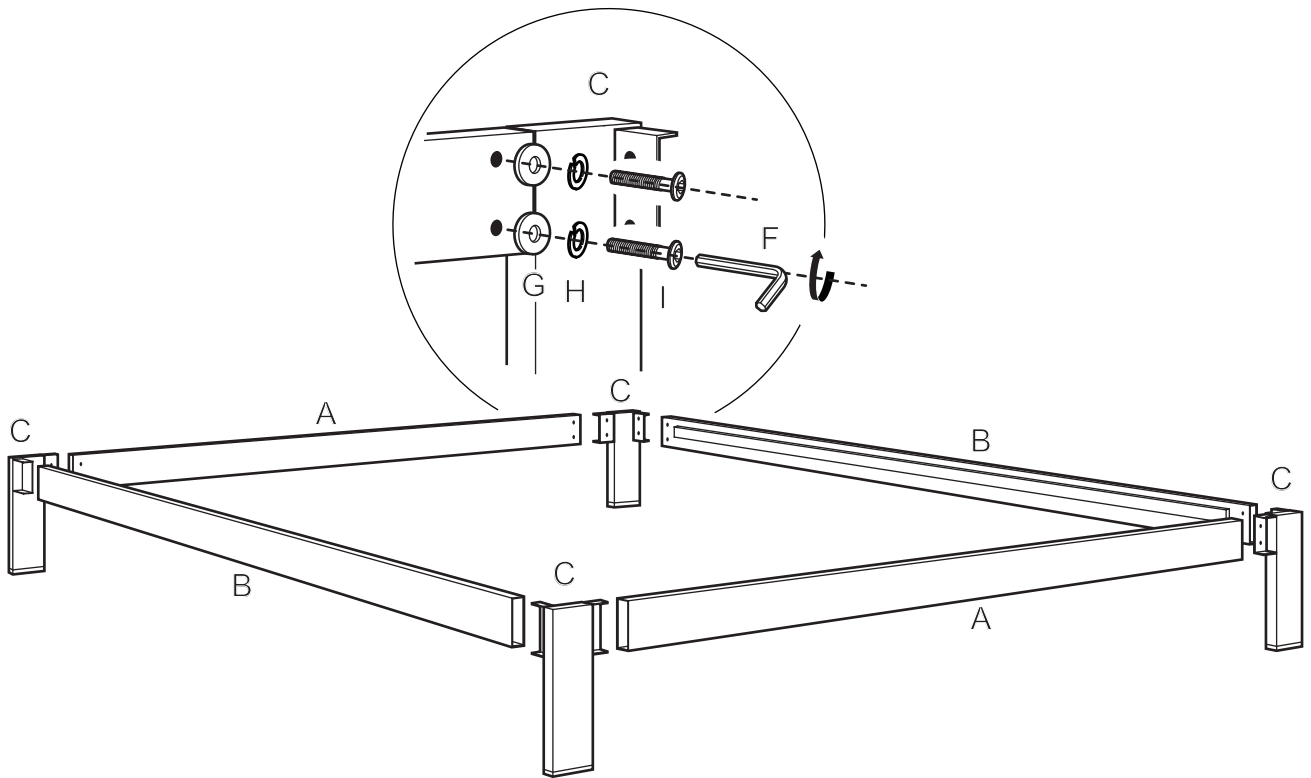


STEP1 :
FIX THE ADJUSTABLE NAIL TO THE SUPPORT LEG.

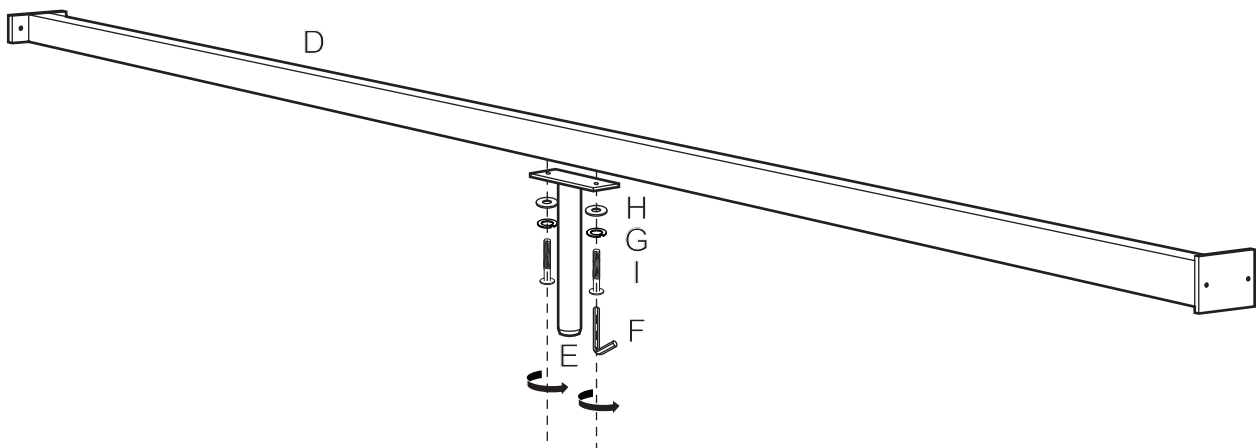


STEP2 :
FIX THE PLASTIC CAP TO THE LEG,IF YOU NEED TO HEIGHTEN THE BEDSTEAD BY FOLLOWING STEP,
PLEASE IGNORE THIS STEP.

ASSEMBLY INSTRUCTIONS

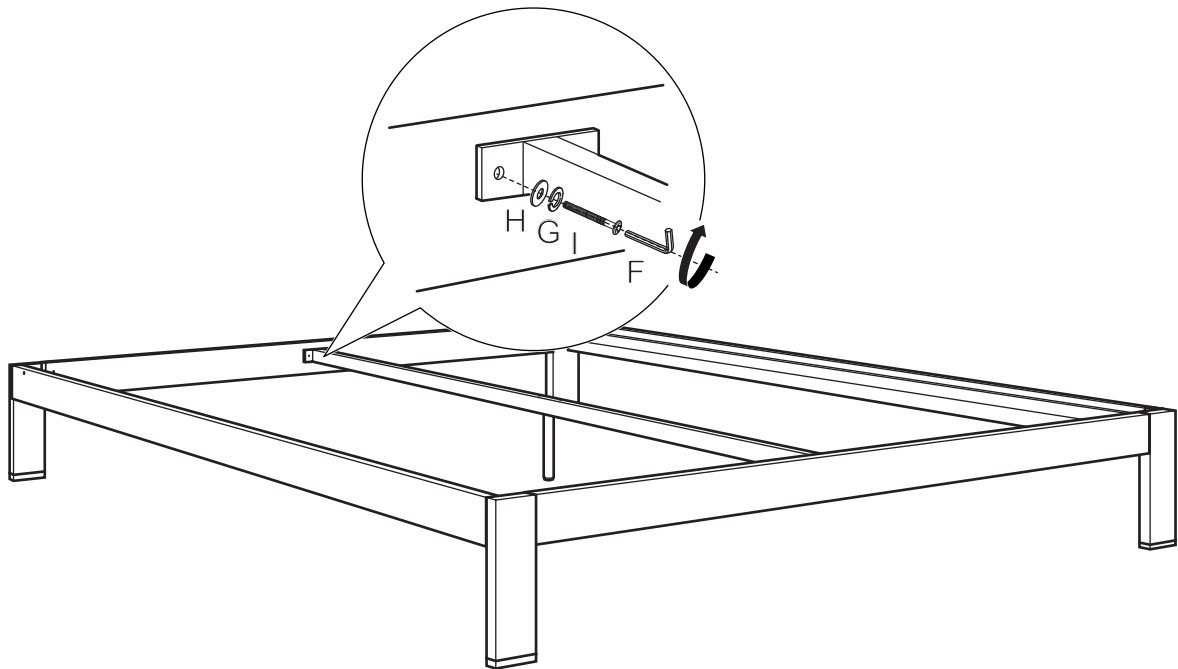


STEP3 :
FIX THE FRONT/BACK RAILS & SIDE RAILS TO THE LEGS.

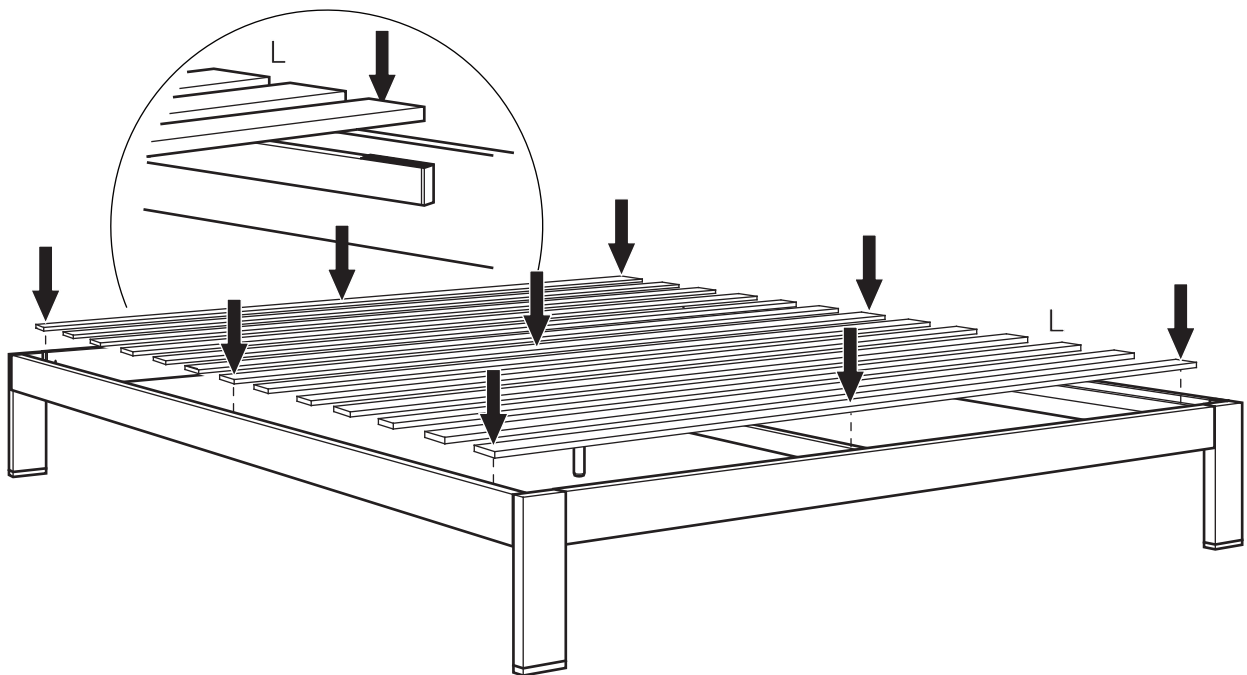


STEP4 :
FIX THE SUPPORT LEG TO THE CENTER SUPPORT BAR.

ASSEMBLY INSTRUCTIONS

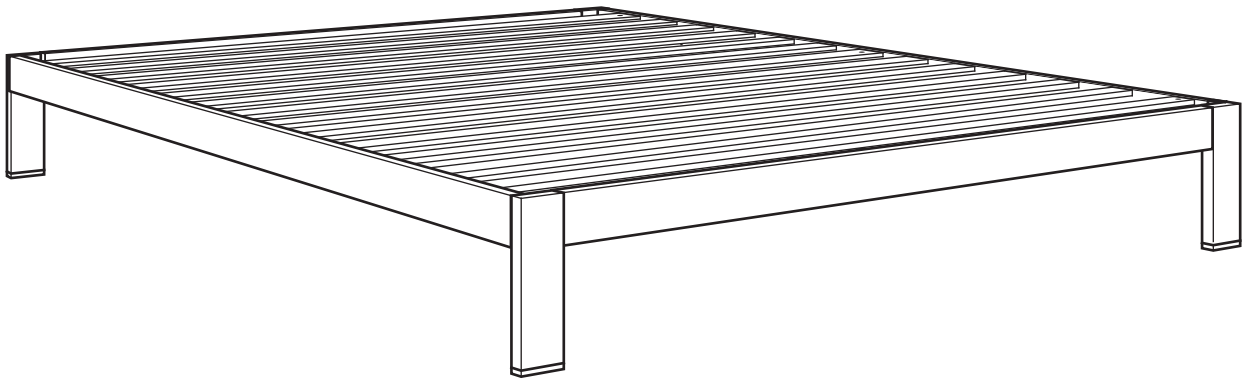


STEP5 :
FIX THE CENTER SUPPORT BAR TO THE FRONT/BACK RAILS.



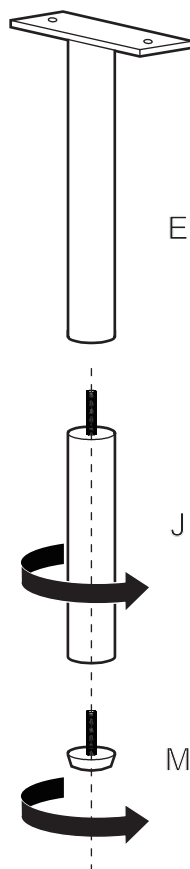
STEP6 :
PUT THE SLATS TO THE BEDSTEAD .

ASSEMBLY INSTRUCTIONS



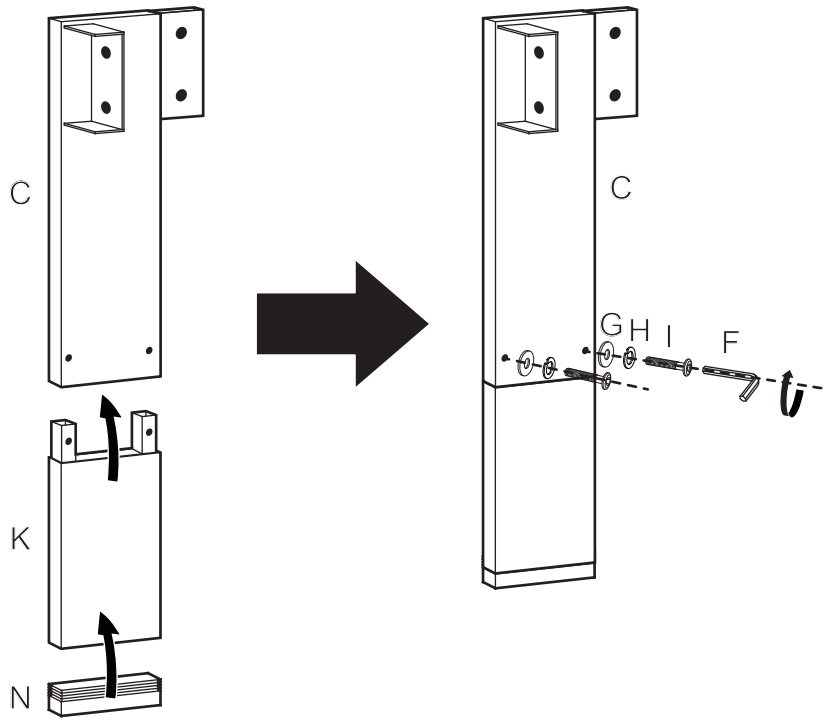
FINISH

BELOW STEPS JUST FOR HEIGHTENING THE WHOLE HEIGHT OF THE BED FRAME . IF YOU DON'T NEED , PLEASE IGNORE .

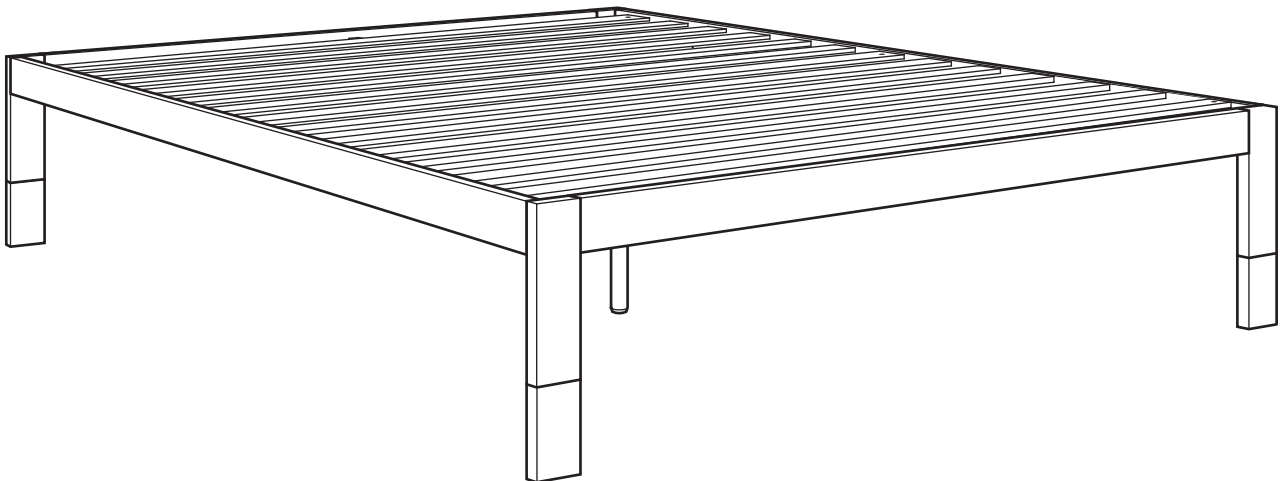


STEP7 :
FIX THE HEIGHTENING SUPPORT LEG TO THE SUPPORT LEG.

ASSEMBLY INSTRUCTIONS



STEP8 :
FIX THE HEIGHTENING LEGS TO THE LEGS.



FINISH